

# LPO Series

Toggle Switches

## SPECIFICATIONS

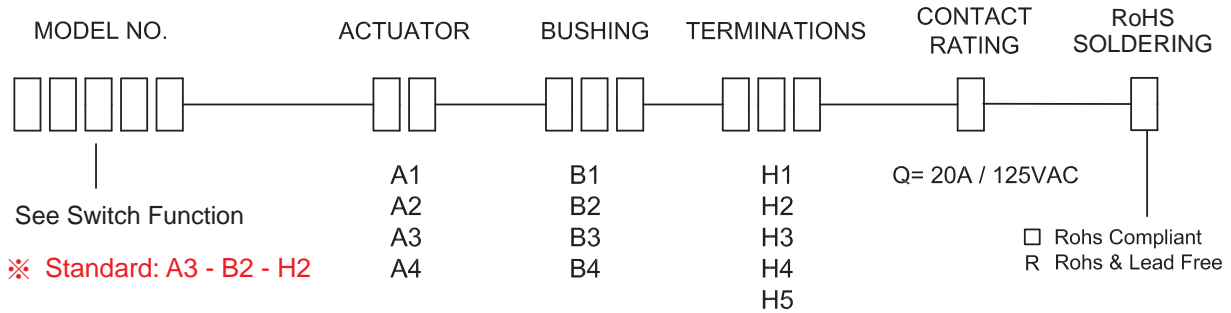
**RATING:** 10A 250VAC, 15A 125VAC, 15A 250VAC, 20A 125VAC

**INSULATION RESISTANCE:** DC 500V 200MΩ Min.

**CONTACT RESISTANCE:** DC 2-4V 1A 20mΩ Max.

**WITHSTAND VOLTAGE:** AC 1500V Min.

## HOW TO ORDER



## SWITCH FUNCTION

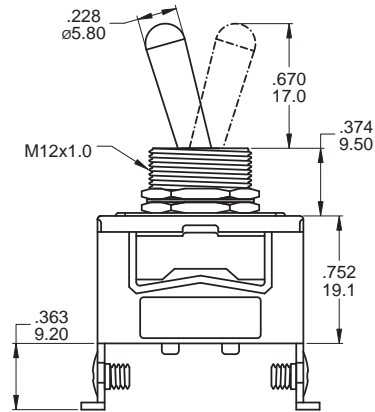
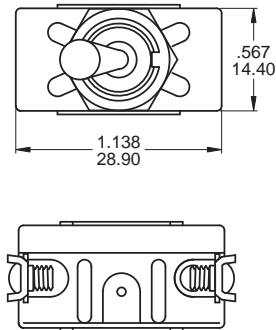
NO. POLES	UL	MODEL NO.	SWITCH FUNCTION			CONNECTED TERMINALS / SCHEMATIC		
			POS.1	POS.2	POS.3	POS.1	POS.2	POS.3
SP	✓	703	OFF	NONE	ON	OPEN	N/A	1-3
		703A	OFF	NONE	MOM			
	✓	704-1	ON	NONE	ON	2-3	OPEN	2-1
		704-1A	MOM	NONE	ON			
	✓	704-2	ON	OFF	ON		OPEN	
		704-2A	MOM	OFF	ON			
		704-2B	MOM	OFF	MOM			
DP	✓	705	OFF	NONE	ON	OPEN	N/A	1-3,4-6
		705A	OFF	NONE	MOM			
	✓	706-1	ON	NONE	ON	2-3,5-6	OPEN	2-1,5-4
		706-1A	MOM	NONE	ON			
	✓	706-2	ON	OFF	ON		OPEN	
		706-2A	MOM	OFF	ON			
		706-2B	MOM	OFF	MOM			
3P		708-1	ON	NONE	ON	2-3,5-6,8-9	OPEN	1-2,4-5,7-8
		708-1A	ON	NONE	(ON)			
		708-2	ON	OFF	ON	OPEN	N/A	1-3,4-6,7-9
		708-2A	ON	OFF	MOM			
		708-2B	MOM	OFF	MOM			
		708-6P	OFF	NONE	ON	OPEN	N/A	1-3,4-6,7-9
		708-6PA	OFF	NONE	(ON)			
4P		709-1	ON	NONE	ON	2-3,5-6 8-9,11-12	OPEN	1-2,4-5 7-8,10-11
		709-1A	ON	NONE	(ON)			
		709-2	ON	OFF	ON	OPEN	N/A	1-3,4-6 7-9,10-12
		709-2A	ON	OFF	MOM			
		709-2B	MOM	OFF	MOM			
		709-8P	OFF	NONE	ON	OPEN	N/A	1-3,4-6 7-9,10-12
		709-8PA	OFF	NONE	(ON)			

MOM=MOMENTARY

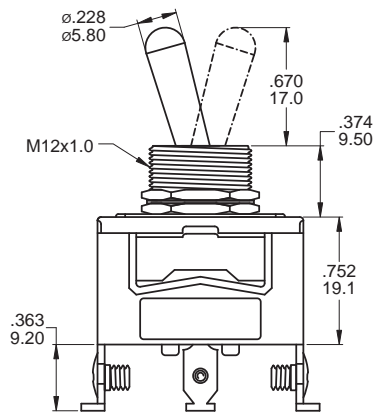
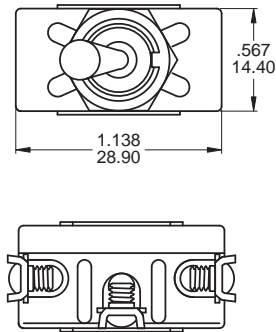
POLE OPTIONS



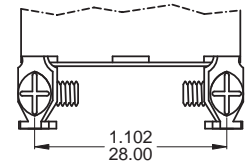
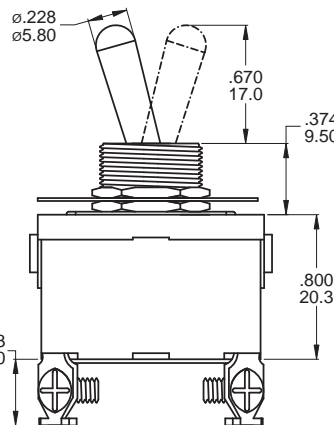
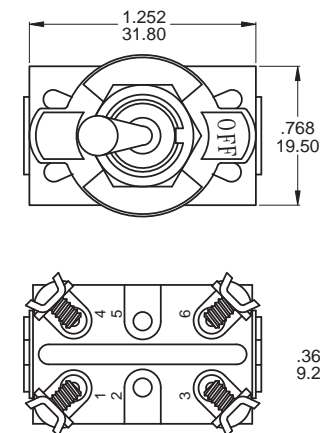
SPST  
703-A3-B2-H2



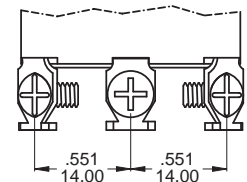
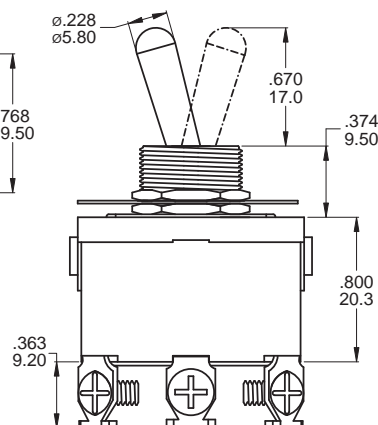
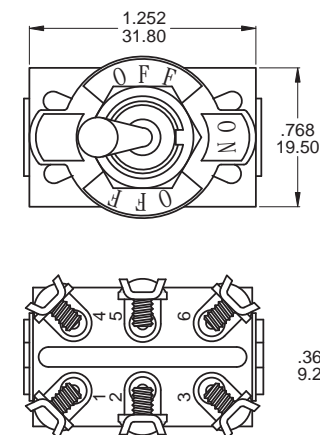
SPDT  
704-1-A3-B2-H2



DPST  
705-A3-B2-H2



DPDT  
706-1-A3-B2-H2

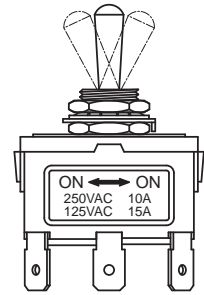
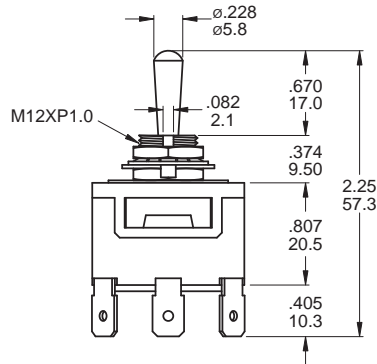
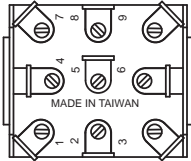
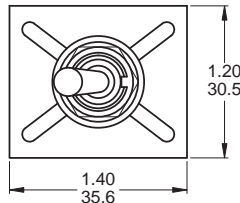


# LPO Series

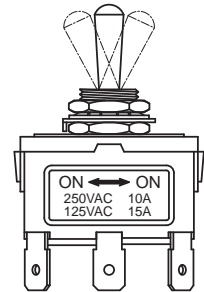
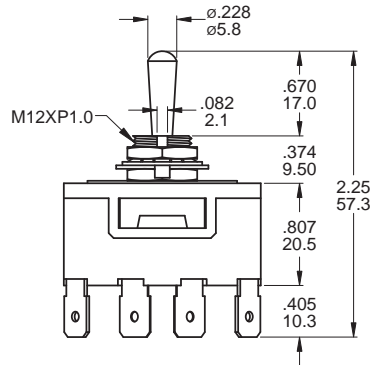
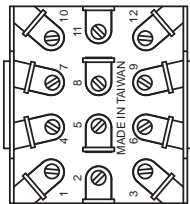
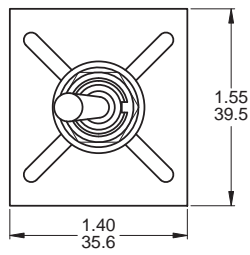
Toggle Switches



**3PDT**  
708-1-A3-B2-H5

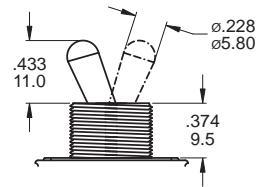


**4PDT**  
709-A3-B2-H5

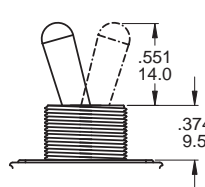


## ACTUATOR OPTIONS

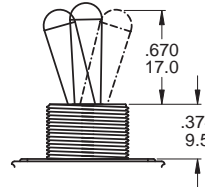
**A1**



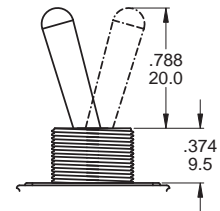
**A2**



**A3**

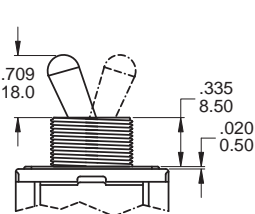


**A4**

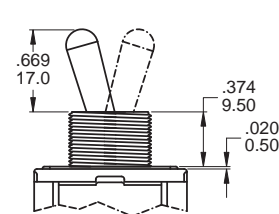


## BUSHING OPTIONS

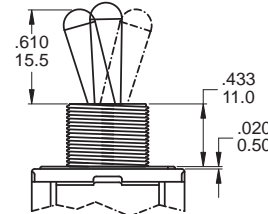
**B1**



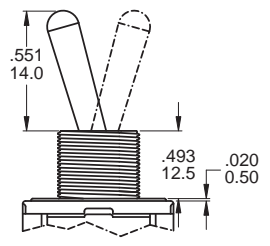
**B2**



**B3**

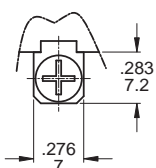


**B4**

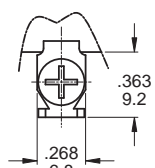


## TERMINATION OPTIONS

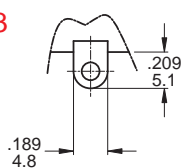
**H1**



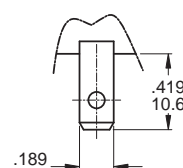
**H2**



**H3**



**H4**



**H5**

